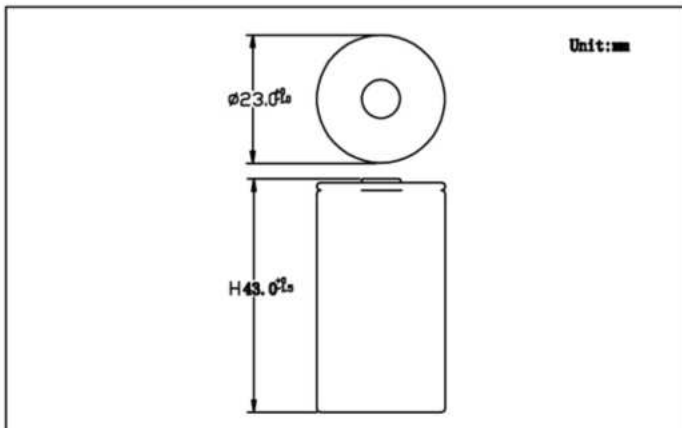


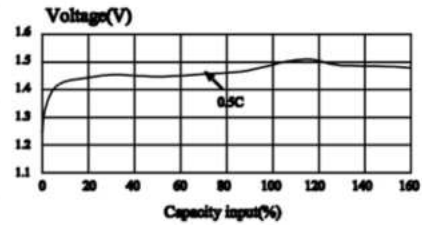
## TYPE: X1500SCK/PP

Specifications		
Type	Rechargeable Nickel Cadmium Cylindrical Cell	
Model	D-SC1500P	
Nominal Voltage	1.2V	
Applications	0.05C-10C(Recommended Discharge Current)	
Capacity	when discharge at 0.2C to 1.0V at 20°C	
	Nominal	1500mAh
	Minimum	1425mAh
Dimensions	Diameter	23.0 <sup>+0.10</sup> mm
	Height	43.0 <sup>+0.15</sup> mm
Charge Condition	0.1C for 16hrs at 20°C	
Rapid Charge	0.5C Charge termination control recommended control parameters: Timer CutOff=120% -ΔV= 8-15mV/cell dT/dt= 1~2°C/3min Temp. CutOff= 50°C (122° F) Ta=10~45°C	
Internal Resistance	Less than 18mΩ upon fully charged at 1000Hz	
Service Life(IEC standard)	≥500 cycles	
Weight	About 42.5g	
Ambient Temperature	Standard Charging	0°C to 45°C
	Fast Charging	10°C to 45°C
	Discharging	-20°C to 65°C
	Storage	-20°C to 35°C

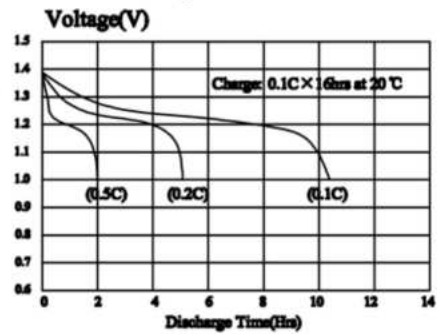


### Characteristics

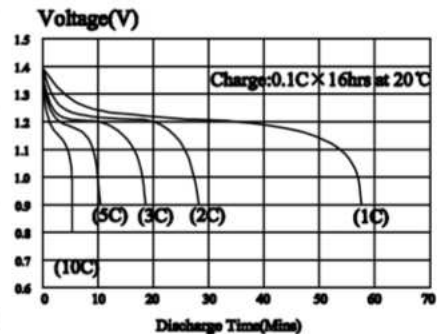
#### Fast Charge (Charge control required)



#### Low Rate Discharge



#### High Rate Discharge



#### Note:

1. Nominal capacity rated at 0.2C, 20°C.
2. The above information is generally descriptive only and is not intended as guarantee or warranty cell and battery specifications are subject to change without notice. All descriptions or warranties are contained solely in specification sheets accompanying formal offers.

energy inside GmbH, Ludwig-Elsbett-Straße 8, D-97616 Salz

Manufacturer reserves the right to alter or amend the approval sheet without the prior notice