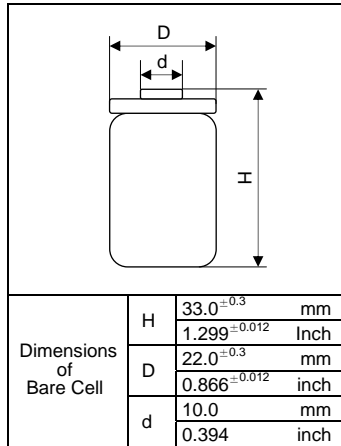


SANYO Cadnica

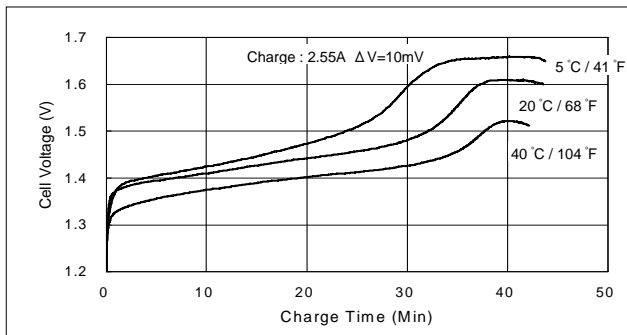


Cell Type NC-1700SCRL Specifications

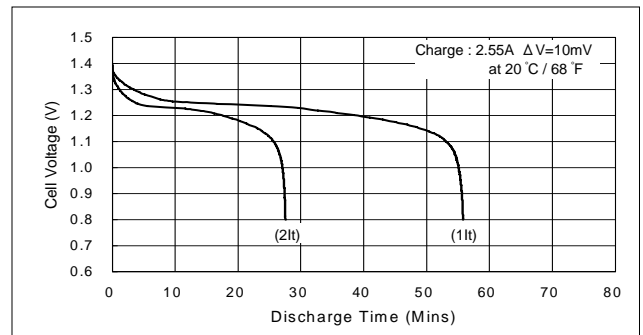
Nominal Capacity		1700mAh	
Nominal Voltage		1.2V	
Charging Current	Standard	170mA	
	Fast	2550mA	
Charging Time	Standard	14 to 16Hrs.	
	Fast	about 1Hr	
Ambient Temperature	Charge	Standard	0 °C to +45 °C [+32 °F to 113 °F]
		Fast	5 °C to +40 °C [+41 °F to 104 °F]
	Discharge	-20 °C to +60 °C [-4 °F to 140 °F]	
	Storage	-30 °C to +50 °C [-22 °F to 122 °F]	
Internal Impedance (Av.) (at 50% discharge)		4.0mΩ (at 1000Hz)	
Weight (with tube)		Approx. 42g / 1.48oz	
Dimensions(D) × (H) (with tube)		22.9 ⁰ _{-1.0} × 34.0 ⁰ _{-1.2} mm	
		0.90 ⁰ _{-0.04} × 1.34 ⁰ _{-0.05} inch	

Typical Characteristics

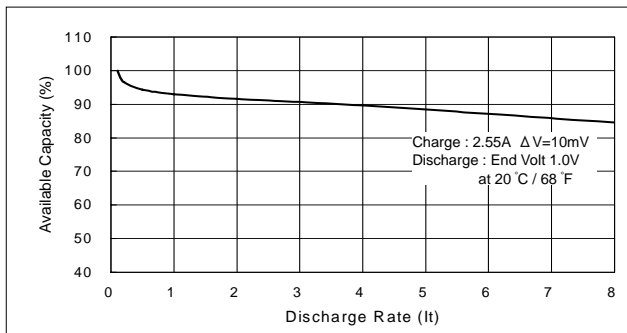
Charge



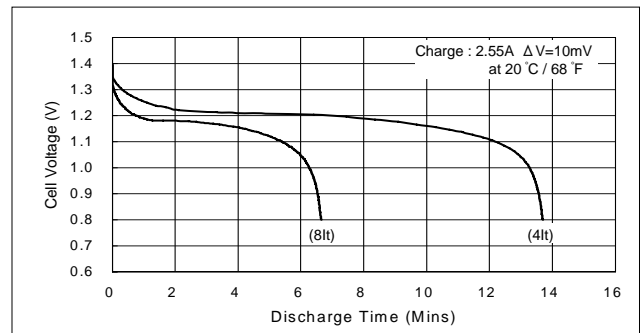
Discharge (at high rate)



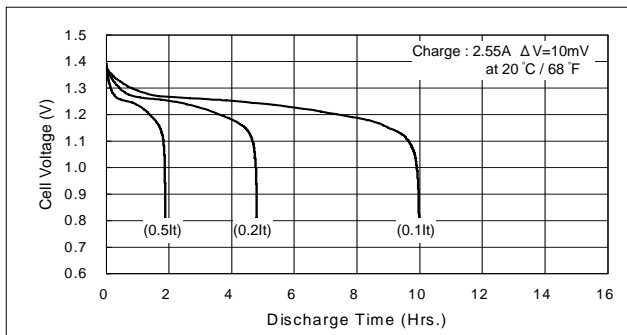
Cell Capacity (at various discharge rate)



Discharge (at high rate)



Discharge (at low rate)



Temperature (Charge & Discharge)

