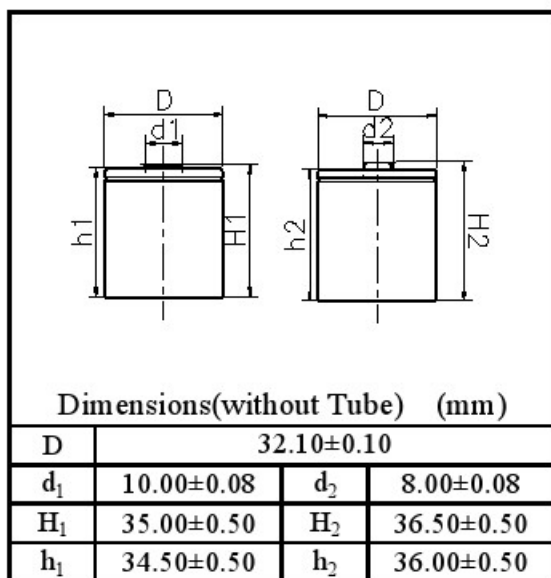


JJJ Battery Co.,LTD.

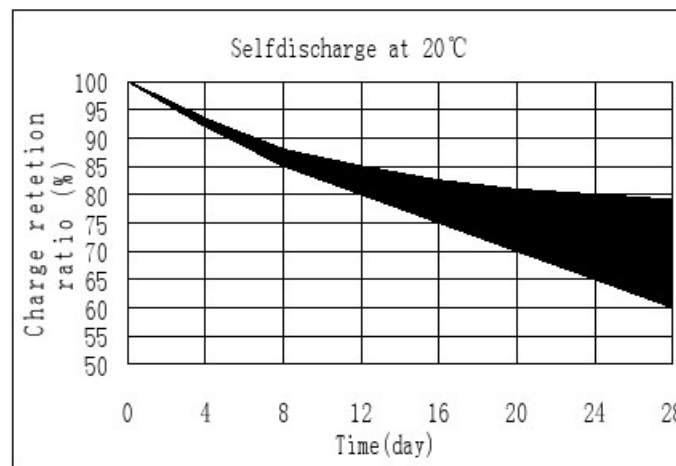
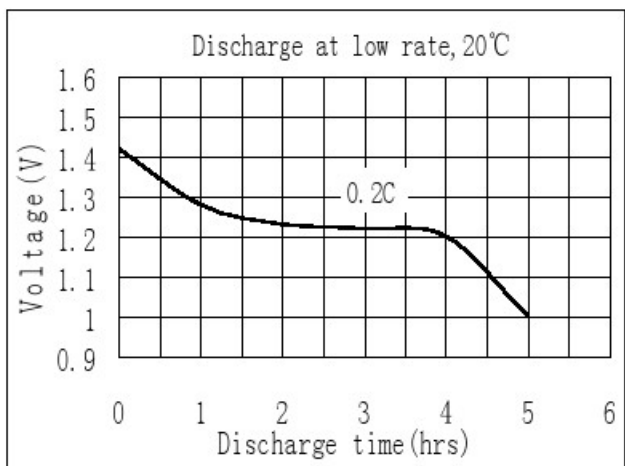
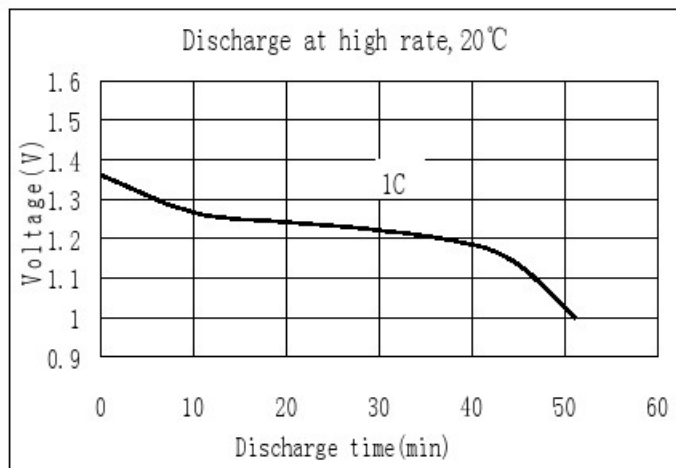
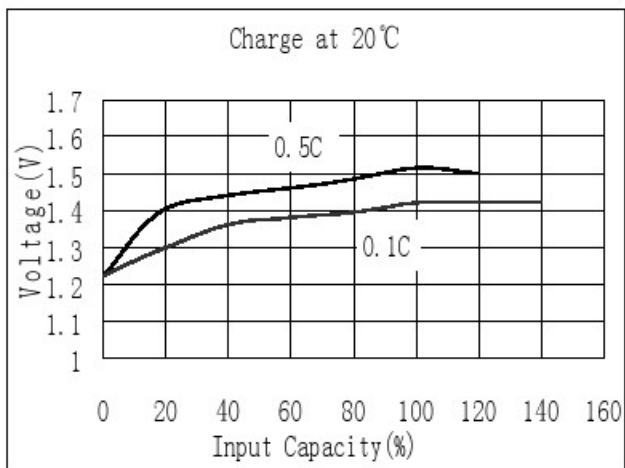
MODEL No: J-1/2D3500

Description: 3500 mAh SIZE NI-MH D



Specification

Nominal Capacity		3500 mAh
Nominal Voltage		1.2 V
Charge current	Standard	350 mA
	Fast	1750 mA
Charge time	Standard	14~16 Hrs
	Fast	2.4 Hrs
Ambient Temperature	Charge	Standard: 0°C~45°C Fast: 10°C~45°C
	Discharge	-20°C~60°C
	Storage	-20°C~55°C
Internal Impedance(mΩ) (After Charge)		≤ 16
Weight		82.0 g



JJJ reserves the right to alter or amend the design, model and specification without prior notice.

JIANGMEN JJJ BATTERY CO.,LTD.