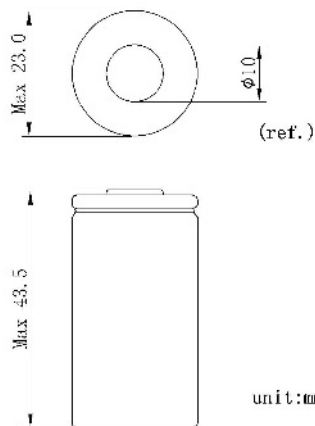


MODEL NO: NI-MH SC3600 1.2V

Parameters

Nominal Voltage		1.2V
Typ.capacity (0.2C)		3600mAh
Min.capacity (0.2C)		3500mAh
Dimension	D (mm)	Max. 23.0
	H (mm)	Max. 43.5
Weight (g)		Appr. 59.0
Impedance (1000Hz)		Max. 6mΩ
Charge	Standard	360mA×15hrs
	Rapid	3600mA×63mins
	Trickle	180mA~360mA
Discharge	Standard	≥3500mAh (0.2C→1.0V)
	Continuous	≥3450mAh (30A→0.9V)
Ambient Temperature	Charge	Standard& Trickle:0~45deg.C
		Rapid:10~40deg.C
	Discharge	-20~+25 (within 1 year)
		-20~+30 (within 3 month)
Storage	-20~+40 (within 1 month)	
MPV		≥1.05V (30A→0.9V)
Cycle Life	IEC ⁽¹⁾	60% of C ₅ initial capacity
	10C ⁽²⁾	75% of 10C initial capacity

Dimension(with tub)mm



Remark:

- (1): As per IEC 61951-2(2003)7.4.1.1 Standard,measure the capacity at 500th cycle.
- (2): Charge at 3600mA for 63mins with -dV 5mV/cell,rest 30mins,discharge at 30000mA to 0.9V/cell,rest 60mins,measure the capacity at 200th cycle.

Typical characteristics

