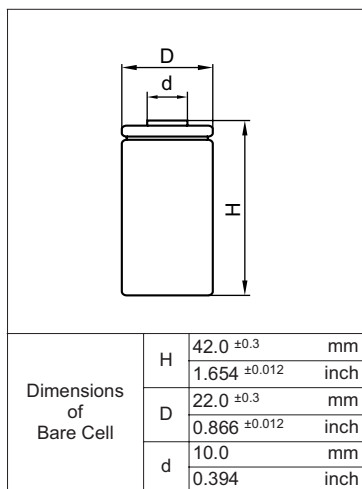


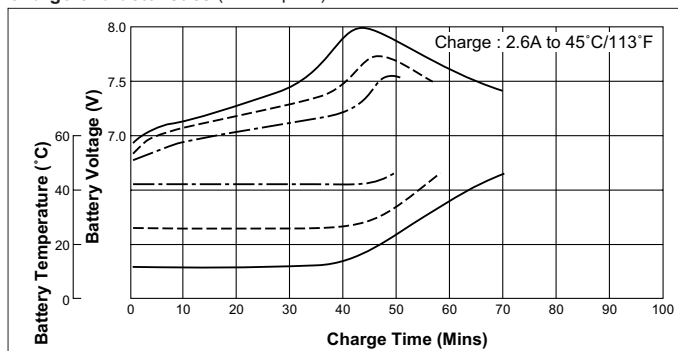
Cell Type N-1700SCR Specifications



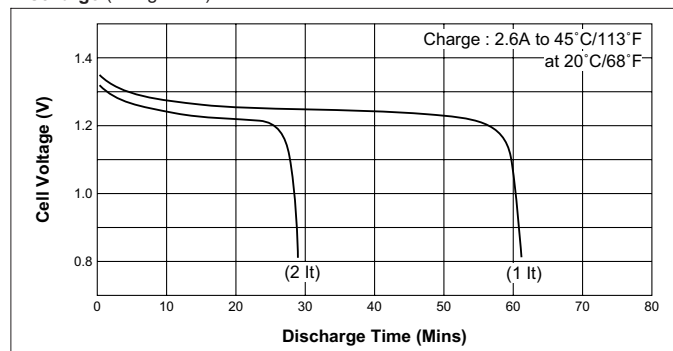
Nominal Capacity		1700mAh	
Nominal Voltage		1.2V	
Charging Current	Standard	170mA	
	Fast	2600mA	
Charging Time	Standard	14 to 16Hrs.	
	Fast	about 1Hr.	
Ambient Temperature	Charge	Standard	0°C to +45°C [+32°F to 113°F]
		Fast	5°C to +40°C [+41°F to 104°F]
	Discharge	-20°C to +60°C [-4°F to 140°F]	
	Storage	-30°C to +50°C [-22°F to 122°F]	
Internal Impedance (Av.) (at 50% discharge)		4.0mΩ (at 1000Hz)	
Weight		55g/1.94oz	
Dimensions(D)×(H) (with tube)		22.9 ⁰ ₋₁ × 43.0 ⁰ _{-1.2} mm	
		0.90 ⁰ _{-0.04} × 1.69 ⁰ _{-0.05} inch	

Typical Characteristics

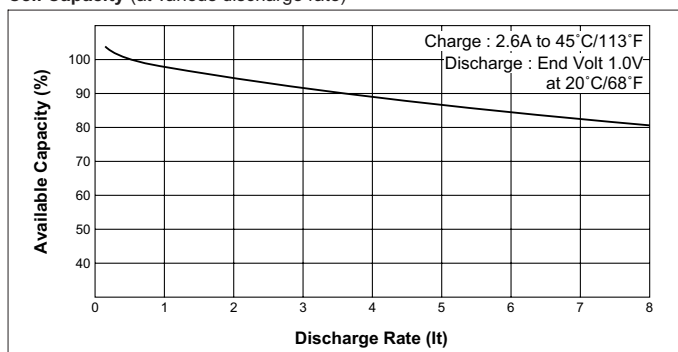
Charge Characteristics (5 cells pack)



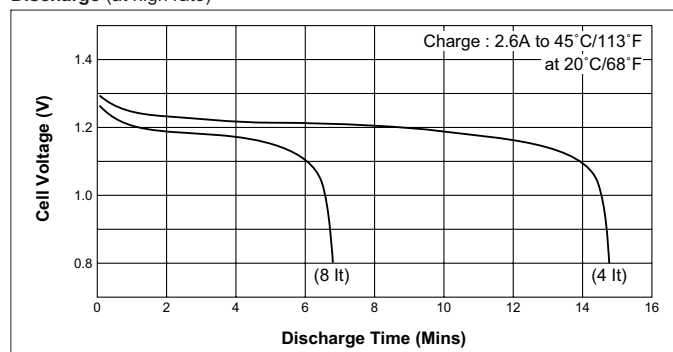
Discharge (at high rate)



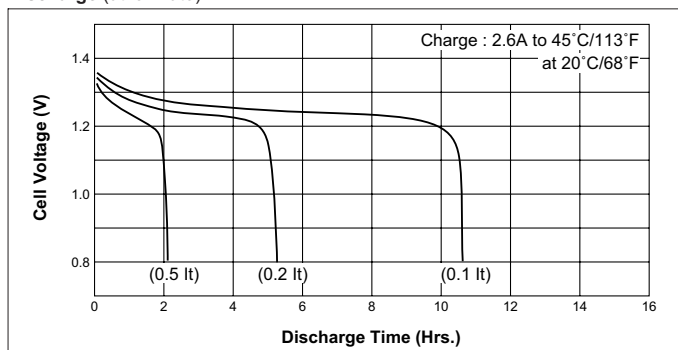
Cell Capacity (at various discharge rate)



Discharge (at high rate)



Discharge (at low rate)



Temperature (Charge & Discharge)

